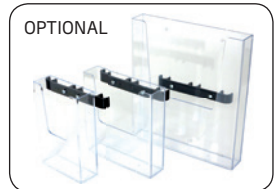
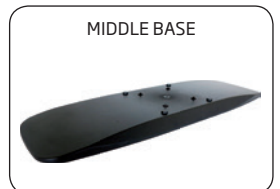
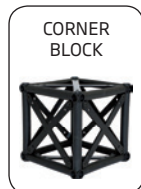
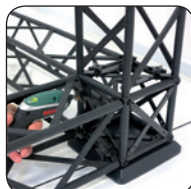
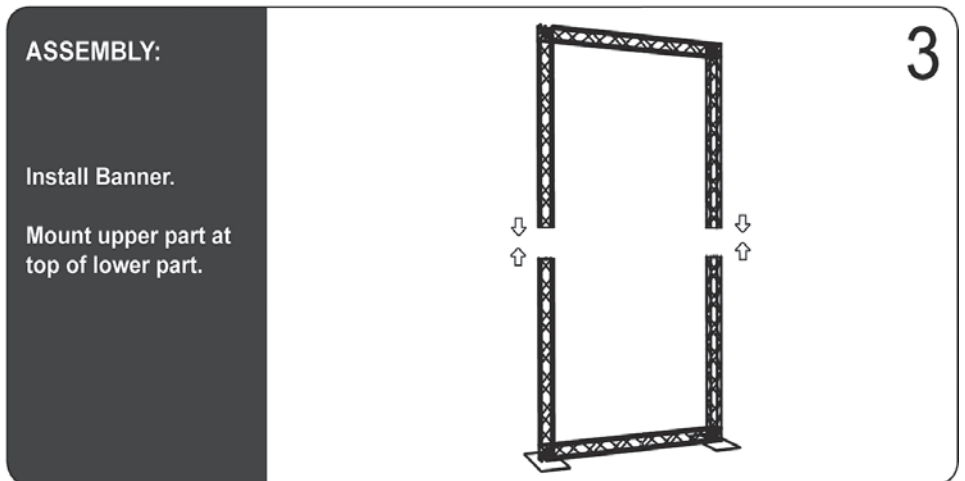
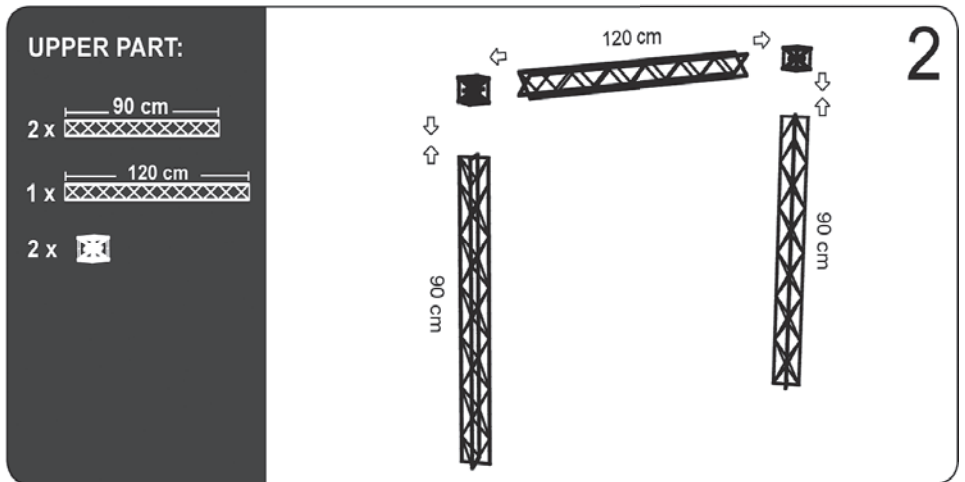
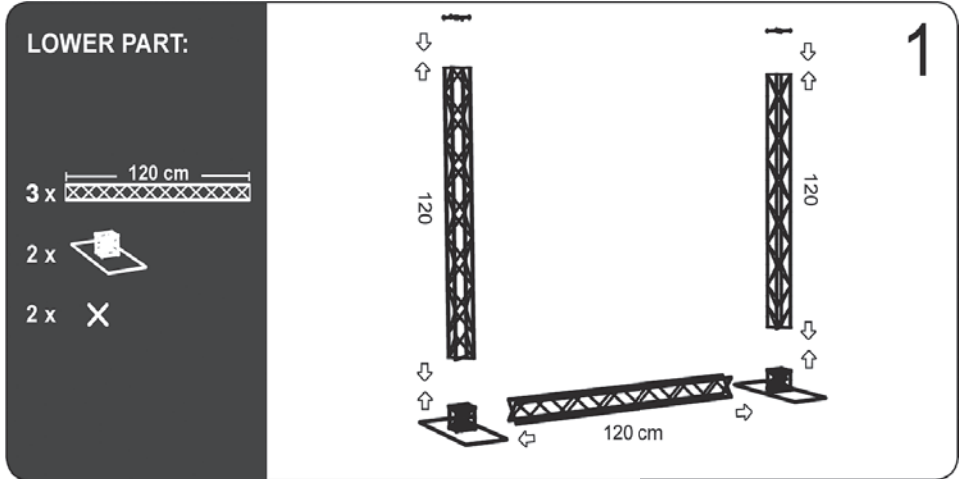




A modular truss system with unlimited possibilities. Made in strong and durable materials: aluminum, steel and composite. Foldable construction - very easy to assemble and disassemble.

Supplied complete with:
2 x 90 + 4 x 120 cm Modules,
4 x Corner Block,
2 x Connector Cross,
2 x Middle Base,
8 x Top and Bottom Clips,
2 x 120 cm Alu Profile,

Delivered without banner.



| Model | Art.no. | Print size | Colour | Total W x H x D | Weight |
|-------|---------|--------------|--------|---------------------|--------|
| 763 | 1763 | 120 x 212 cm | Black | 154 x 246 x 60,5 cm | 24 kg |